



# P1100 Series

## Cylinder Filling Pump

### Applications

- ▶ CO<sub>2</sub> cylinder filling
- ▶ N<sub>2</sub>O cylinder filling

### Features & Benefits

- ▶ Vertically positioned floating piston means longer life
- ▶ Simple cold end design assembly, easy maintenance
- ▶ Large piston diameter and longer pumpstroke, with a belt drive means slower speeds and quick, smooth operation
- ▶ Pump packing is adjusted through a large access port for easy adjustments and extended packing life
- ▶ Splash oil lubricated drive for extended pump drive life service

### Liquids Pumped

- ▶ CO<sub>2</sub>, N<sub>2</sub>O



### Specifications

**Flow Rate**  
 gpm 5.8  
 lpm 21.9

**Suction Pressure**  
 Minimum psi 200  
 bar 13.7  
 Maximum psi 450  
 bar 31

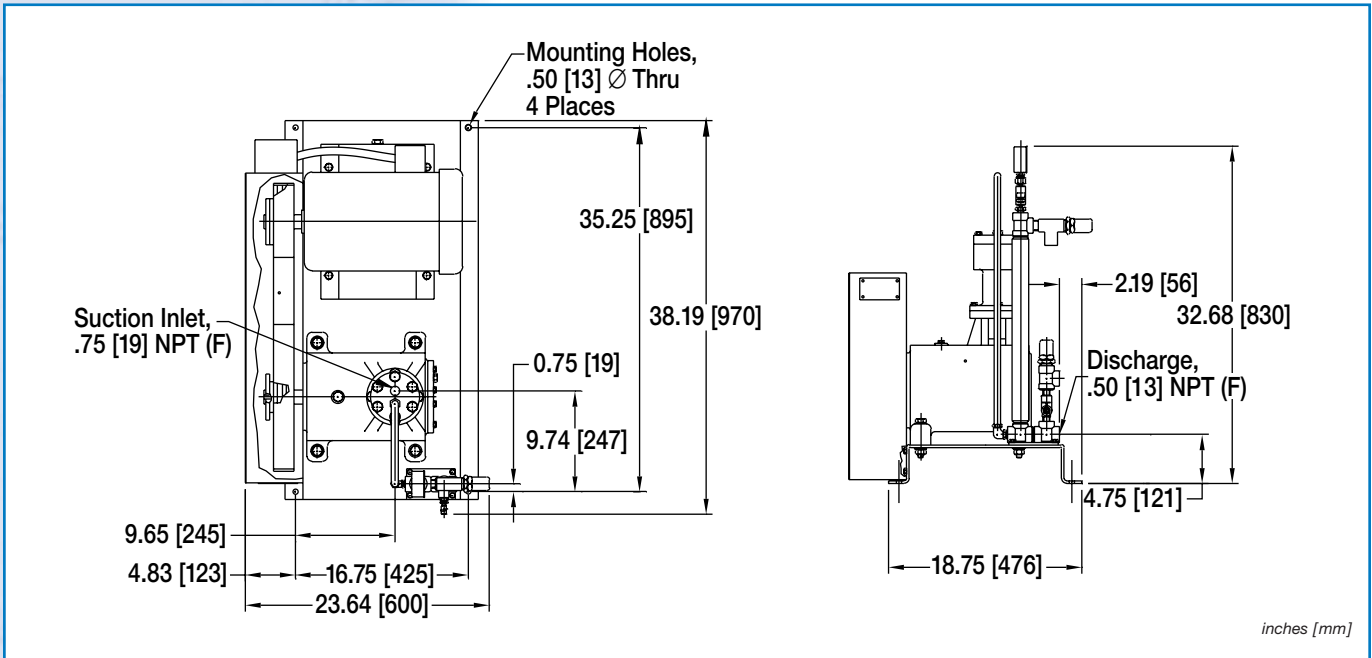
**Pump Design Rating**  
 hp 7.5  
 kw 5.6

**Maximum Working Pressure**  
 psi 1200  
 bar 82.7

**Skid Settings**  
 High pressure relief valve setting—1200 psi, 82.7 bar  
 High pressure bypass relief valve setting—1000 psi, 68.9 bar  
 Burst disc pressure point 2000 psi, 137.9 bar

# P1100 Series

## Dimensions



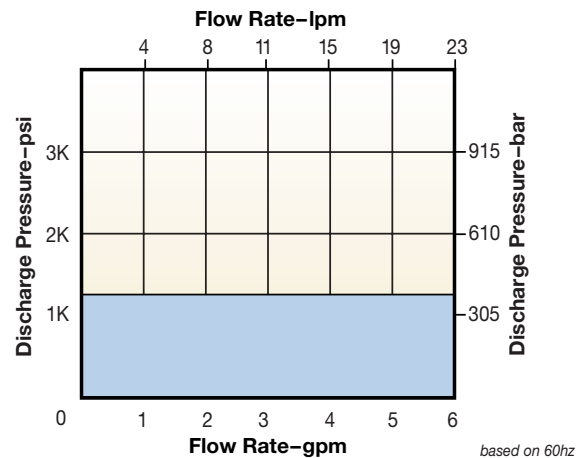
### Scope of Supply

- ▶ Cold end drive assembly, TEFC electric motor
- ▶ Galvanized steel base plate with drive and guard
- ▶ NEMA 1 pushbutton starter
- ▶ Surge chamber
- ▶ Relief valve and burst disc
- ▶ Pressure gauge and snubber
- ▶ Safety bypass relief valve arrangement automatically returns liquid to tank at 1000 psi (305 bar)
- ▶ Oil lubricated drive end (oil shipped loose)

### Optional Accessories

- ▶ Dual cylinder manifold with bypass and adjustable pressure regulator
- ▶ NEMA 4 pushbutton starter

## Pump Performance Map



## Worldwide Sales & Service Centers



2321 S. Pullman Street  
Santa Ana, CA 92705 USA  
Tel +1.949.261.7533 • Fax +1.949.261.6285  
800.525.4216 (USA only)  
acd@acdcom.com, www.acdcom.com



Gutenbergstrasse 1  
CH-4142 Muenchenstein, Switzerland  
Tel +41.61.413.0230 • Fax +41.61.413.0233  
info@acdcryo.com

**Cryogenic Industries—Headquarters**  
25720 Jefferson Avenue  
Murrieta, CA 92562 USA  
Tel +1 909.696.7840  
Fax +1 909.698.7484  
info@cryoind.com  
www.cryoind.com

**CryoAtlanta, Inc.**  
370 Great Southwest Parkway, Suite F  
Atlanta, GA 30336 USA  
Tel 888.217.9355 (USA only)  
Tel +1 404.696.8113  
Fax +1 404.696.8116  
tffarmer@bellsouth.net

**CryoCal, Inc.**  
2110 S. Lyon Street, Unit H  
Santa Ana, CA 92705 USA  
Tel +1 949.724.8636  
Fax +1 714.641.1921  
cryocal@ix.netcom.com

**CryoCanada Incorp.**  
530 McNicoll Avenue  
North York, Ontario M2H 2E1, Canada  
Tel +1 416.502.1950  
Fax +1 416.502.1952  
cryocan@istar.ca

**Cryogenic Industries—Malaysia**  
Lot 35, Jalan Selat Selatan 21  
Sobena Jaya, Pandamaran  
42000 Port Klang, Selangor, Malaysia  
Tel +60 (3).365.4801  
Fax +60 (3).365.4798  
jestes@pc.jaring.my

**Pittsburgh Cryogenic Services, Inc.**  
767 State Route 30  
Imperial, PA 15126 USA  
Tel 800.327.6461 (USA only)  
Tel +1 724.695.1910  
Fax +1 724.695.1926  
pittcryo@pulsenet.com

**Cryo-Chem Pty LTD**  
47 McIntosh Street  
Airport West, Victoria 3042, Australia  
Tel +61 3.9330.2444  
Fax +61 3.9330.1015  
rmross1@ibm.net

**Cryogenic Industries—China**  
64 Tian Mu Shan Road  
Hangzhou, 310007, China  
Tel +86 571.885.9026  
Fax +86 571.885.9025  
dkling@mail.hz.zj.cn

