



# 3-GUPD Series

## Applications

- ▶ Oil well service
- ▶ High pressure pumping systems
- ▶ Mobile pumping equipment

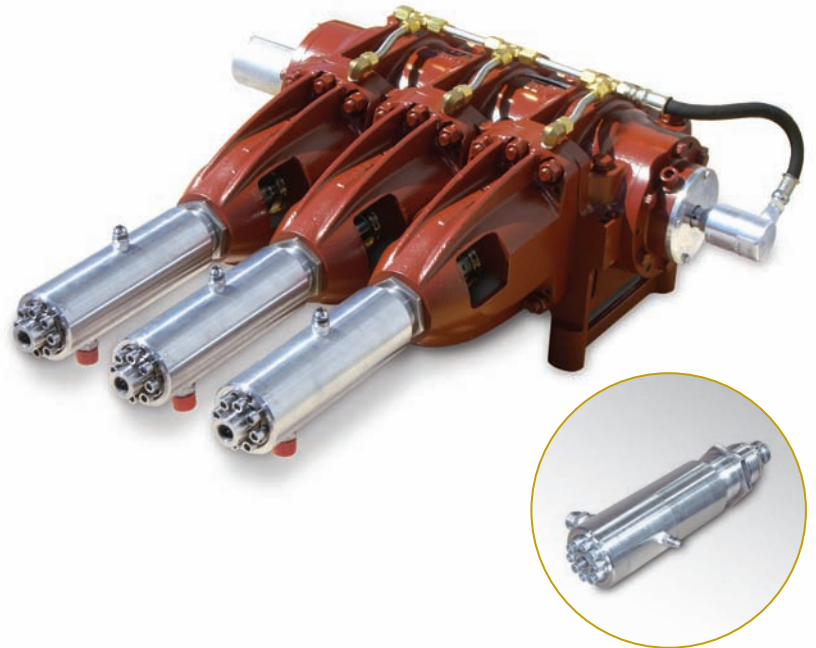
## Features & Benefits

- ▶ Rugged, heavy duty construction allows for high reliability in oil well service and a proven industry standard
- ▶ Main shaft is pressure lubricated minimizing wear and tear on bearings/crosshead piston while keeping all components cool
- ▶ Interchangeable with SG cold ends expanding capabilities. All cold ends have minimal material for quick cool-down and minimal wear and tear at start-up
- ▶ Multiple cold end sizes and drive end strokes allow for wide range of flows and pressures providing flexibility to end users and applications

## Liquids Pumped

- ▶ N<sub>2</sub>, LNG, ethylene

## High Flow/High Pressure Pump



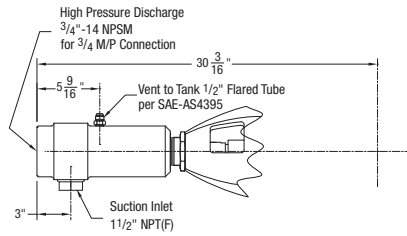
\* Available with SG cold end, 1.625" bore.

## Specifications

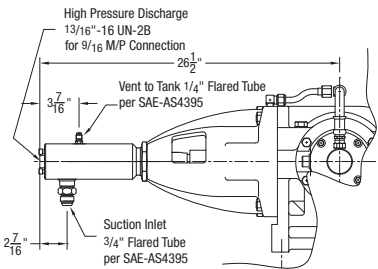
|                                   | 1.25" x 1.3" stroke<br>1.25" x 1.5" stroke | 1.625" x 1.3" stroke<br>1.625" x 1.5" stroke | 2.00" x 1.3" stroke<br>2.00" x 1.5" stroke |
|-----------------------------------|--------------------------------------------|----------------------------------------------|--------------------------------------------|
| <b>Flow Rate</b>                  |                                            |                                              |                                            |
| gpm                               | 1.75 – 18.3                                | 0.99 – 32.0                                  | 4.50 – 48.8                                |
| lpm                               | 6.62 – 69.5                                | 3.76 – 121.0                                 | 17.0 – 185.0                               |
| <b>Pump Design Rating</b>         |                                            |                                              |                                            |
| hp                                | 205                                        | 205                                          | 205                                        |
| kw                                | 153                                        | 153                                          | 153                                        |
| <b>Maximum Discharge Pressure</b> |                                            |                                              |                                            |
| psi                               | 17,000                                     | 10,000                                       | 6,500                                      |
| bar                               | 1,172                                      | 690                                          | 448                                        |
| <b>NPSPR</b>                      |                                            |                                              |                                            |
| psi                               | 60                                         | 60                                           | 60                                         |
| bar                               | 4.1                                        | 4.1                                          | 4.1                                        |
| <b>RPM Range</b>                  |                                            |                                              |                                            |
| rpm                               | 100 – 940                                  | 100 – 940                                    | 100 – 940                                  |

# 3-GUPD Series

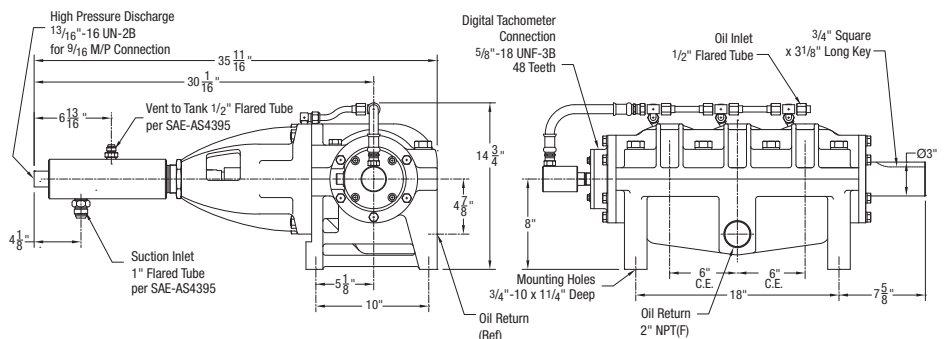
## Dimensions



**2.00"Ø Bore Cold Ends**



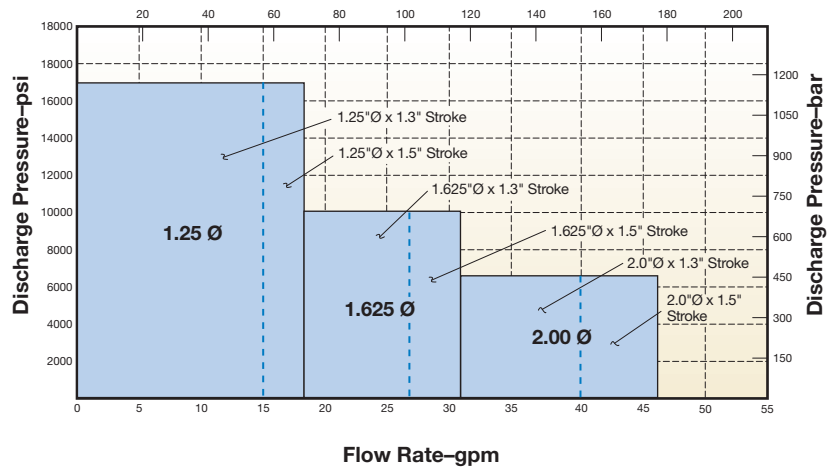
**1.625"Ø Bore SG Cold Ends**



**1.25"Ø & 1.625"Ø Bore Cold Ends**

## Pump Performance Map

**Expected Performance Map  
3-GUPD Cryogenic Reciprocating Pump**



### Scope of Supply

- ▶ Foot-mount pump (cold ends & drive end)
- ▶ Digital tach adapter

### Optional Accessories

- ▶ SG, non-vacuum jacketed cold ends, p/n 60740-1
- ▶ Mechanical tach adapter

## Worldwide Sales & Service Centers

### Manufacturers



2321 S. Pullman Street  
Santa Ana, CA 92705 USA  
Tel 800.525.4216 (USA only)  
Tel +1.949.261.7533 • Fax +1.949.261.6285  
acd@acdllc.com • www.acdllc.com



Gutenbergstrasse 1  
CH-4142 Muenchenstein  
Switzerland  
Tel +41.61.413.0230  
Fax +41.61.413.0233  
sales@acdcrयो.com  
www.acdcrयो.com

Rheinauenstrasse 2  
D-79415 Bad Bellingen  
Germany  
Tel +49.7635.8105.0  
Fax +49.7635.8965  
info@acdcrयो.com  
www.acdcrयो.com

### Cryogenic Industries Service Companies

**Headquarters**  
Murrieta, California, USA  
+1 951.696.7840 • Fax +1 951.698.7484  
info@cryoind.com  
www.cryoind.com

**Atlanta**  
Atlanta, Georgia, USA  
+1 404.696.8113 • Fax +1 404.696.8116  
sales@cryoatlanta.com  
www.cryoindservice.com

**California**  
Santa Ana, California, USA  
+1 949.724.8636 • Fax +1 714.641.1921  
sales@cryocal.com  
www.cryoindservice.com

**Toronto**  
North York, Ontario, Canada  
+1 416.502.1950 • Fax +1 416.502.1952  
info@cryocanada.com  
www.cryoindservice.com

**Red Deer**  
Red Deer, Alberta, Canada  
+1.403.352.4436 • Fax +1.403.352.4439  
sales@cryocanada.com  
www.cryoindservice.com

**Houston**  
Houston, Texas, USA  
+1 281.590.4800 • Fax +1 281.590.4801  
sales@cihouston.com  
www.cryoindservice.com

**Malaysia**  
Port Klang, Selangor, Malaysia  
+60 (3) 3165.4801 • Fax +60 (3) 3165.4798  
sales@cimalaysia.com  
www.cimalaysia.com

**China**  
Hangzhou, China  
+86.571.8869.0788 • Fax +86.571.8869.0715  
hci@mail.hz.zj.cn  
www.cryoind.com

**Korea**  
Yongin-si, Gyeonggi-do, Korea  
+82.31.286.6114 • Fax +82.31.286.6118  
info@ci-korea.co.kr  
www.ci-korea.co.kr

**Australia**  
Dandenong, Victoria, Australia  
+61.3.9791.7888 • Fax +61.3.9769.2788  
sales.au@cryoquip.com  
www.cryoquip.com

**Pittsburgh**  
Imperial, Pennsylvania, USA  
+1 724.695.1910 • Fax +1 724.695.1926  
pittcryo@pittcryogenic.com  
www.cryoindservice.com

