



Members of  CRYOGENIC INDUSTRIES

# GAPD Series

## Storage Filling Pump

### Applications

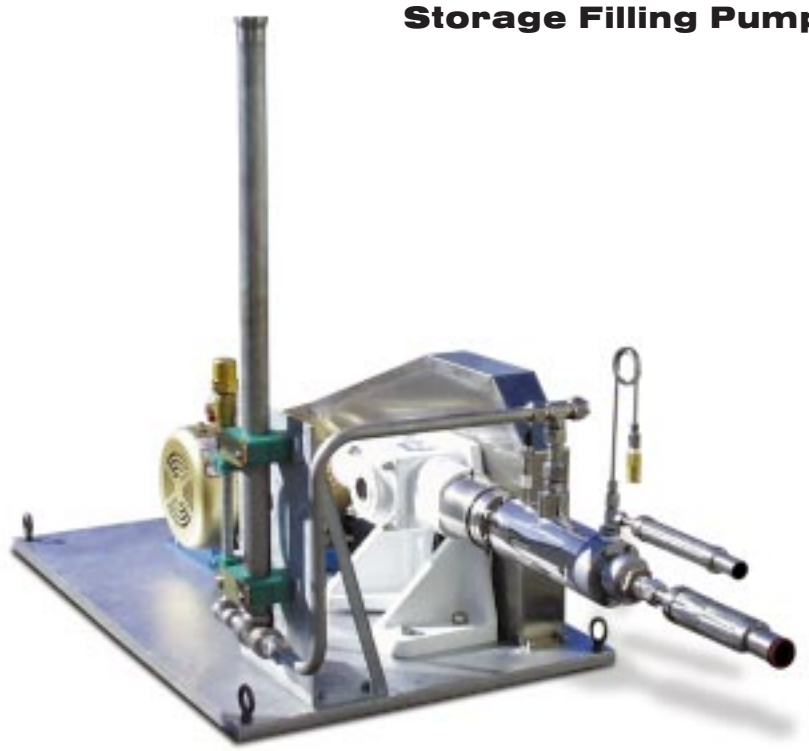
- ▶ Storage filling
- ▶ Medium to heavy duty cylinder filling
- ▶ Special duty applications

### Features & Benefits

- ▶ Modular (1, 2, or 3 cylinder configurations) pumping capability for a wide range of flow requirements
- ▶ Splash-oil lubricated drive yields long life and less wear on drive end
- ▶ Belt driven from electric drive motors or foot mounted for use with hydraulic drives
- ▶ Heavy duty design allows for back pressure startup conditions and continuous duty applications at high flow rates
- ▶ Vacuum jacketed cold end minimizes liquid loss and improves efficiencies
- ▶ Monel strainer for oxygen compatibility

### Liquids Pumped

- ▶ N<sub>2</sub>, O<sub>2</sub>, Ar, hydrogen, methane (LNG), ethylene

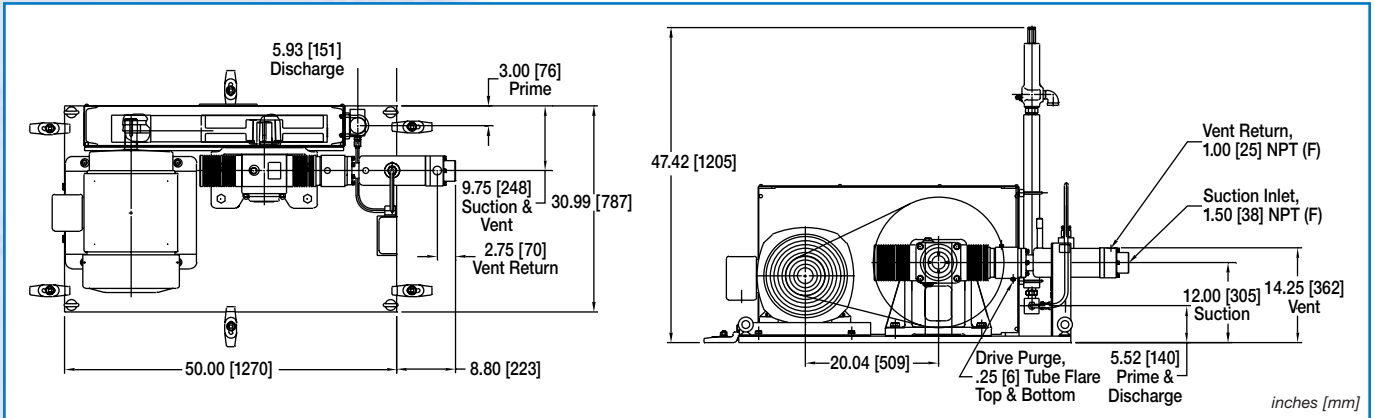


### Specifications

	1.25 bore x .905 stroke (32 mm x 23 mm)	1.625 bore x 1.125 stroke (41 mm x 29 mm)
<b>Flow Range</b>		
gpm	1.4–21.0	0.8–12.5
lpm	5.3–79.0	3–47.0
<b>Pump Design Rating</b>		
hp	10–75	10–75
kw	7.5–56	7.5–56
<b>Maximum Pressure</b>		
psi	6000 (4000 LO <sub>2</sub> )	10000 (4000 LO <sub>2</sub> )
bar	414 (276 LO <sub>2</sub> )	690 (276 LO <sub>2</sub> )
<b>NPSPR</b>		
psi	5	5
bar	0.14	0.14
<b>Maximum Inlet Pressure</b>		
psi	225	225
bar	15.5	15.5

# GAPD Series

## Dimensions



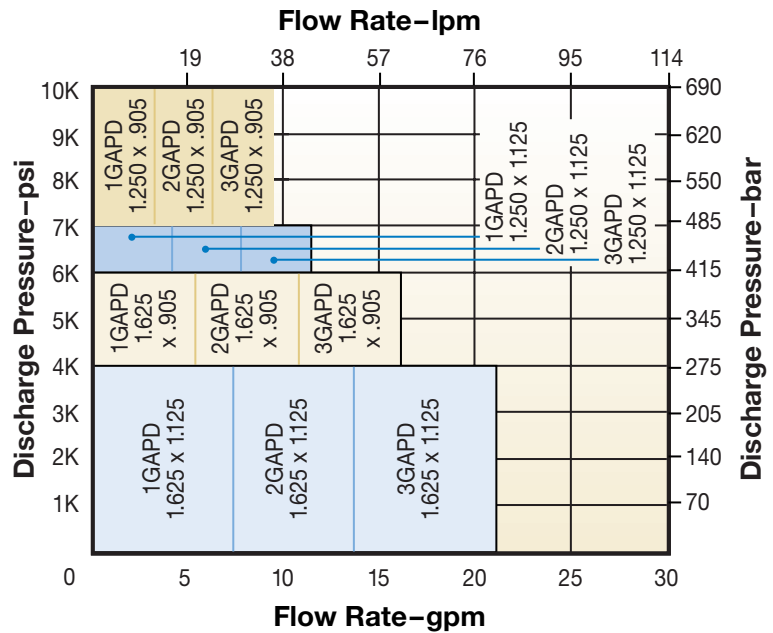
### Scope of Supply

- ▶ Vacuum jacketed cold end with splash-oil lubricated drive end
- ▶ Positive locking drive
- ▶ Standard suction adapter with Monel strainer
- ▶ Drip pan kit (LH<sub>2</sub> only)
- ▶ Discharge relief valve and surge chamber
- ▶ TEFC motor
- ▶ Suction/vent manifold for multiple cylinders

### Optional Accessories

- ▶ Vacuum jacketed suction adapter (standard for LH<sub>2</sub>)
- ▶ Foot mounted configuration
- ▶ Control panel, manual or auto
- ▶ Loss of prime (cavitation detector protection)

## Pump Performance Map



## Worldwide Sales & Service Centers



2321 S. Pullman Street  
Santa Ana, CA 92705 USA  
Tel +1.949.261.7533 • Fax +1.949.261.6285  
800.525.4216 (USA only)  
acd@acdcom.com, www.acdcom.com



Gutenbergstrasse 1  
CH-4142 Muenchenstein, Switzerland  
Tel +41.61.413.0230 • Fax +41.61.413.0233  
info@acdcryo.com

**Cryogenic Industries—Headquarters**  
25720 Jefferson Avenue  
Marietta, GA 30336 USA  
Tel +1 909.696.7840  
Fax +1 909.698.7484  
info@cryoind.com  
www.cryoind.com

**CryoAtlanta, Inc.**  
370 Great Southwest Parkway, Suite F  
Atlanta, GA 30336 USA  
Tel 888.217.9355 (USA only)  
Tel +1 404.696.8113  
Fax +1 404.696.8116  
tfarmer@bellsouth.net

**CryoCal, Inc.**  
2110 S. Lyon Street, Unit H  
Santa Ana, CA 92705 USA  
Tel +1 949.724.8636  
Fax +1 714.641.1921  
cryocal@ix.netcom.com

**CryoCanada Incorp.**  
530 McNicoll Avenue  
North York, Ontario M2H 2E1, Canada  
Tel +1 416.502.1950  
Fax +1 416.502.1952  
cryocan@istar.ca

**Cryogenic Industries—Malaysia**  
Lot 35, Jalan Selat Selatan 21  
Sobena Jaya, Pandamaran  
42000 Port Klang, Selangor, Malaysia  
Tel +60 (3).365.4801  
Fax +60 (3).365.4798  
jestes@pc.jaring.my

**Pittsburgh Cryogenic Services, Inc.**  
767 State Route 30  
Imperial, PA 15126 USA  
Tel 800.327.6461 (USA only)  
Tel +1 724.695.1910  
Fax +1 724.695.1926  
pittcryo@pulsenet.com

**Cryo-Chem Pty LTD**  
47 McIntosh Street  
Airport West, Victoria 3042, Australia  
Tel +61 3.9330.2444  
Fax +61 3.9330.1015  
rmross1@ibm.net

**Cryogenic Industries—China**  
64 Tian Mu Shan Road  
Hangzhou, 310007, China  
Tel +86 571.885.9026  
Fax +86 571.885.9025  
dking@mail.hz.zj.cn

